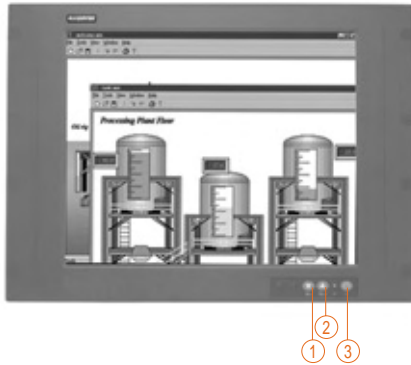


PANEL I 170-800

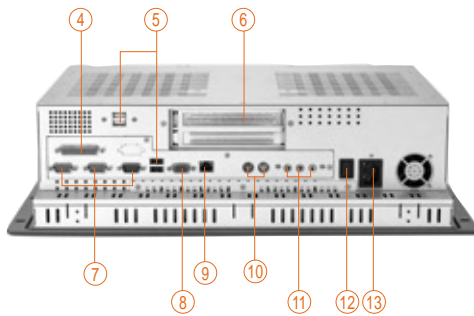
17" TFT Industrial Panel PC w/ Intel® Pentium® 4 Processor & RAID 0,1



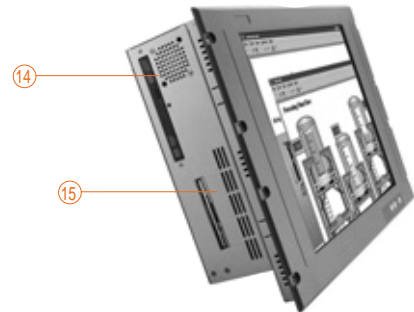
1. SEL-
2. SEL+
3. Backlight on/off

Features

- ▶ 17" XGA TFT LCD display
- ▶ Superior Intel® Pentium® 4 processor supported
- ▶ Easy swappable 2 x 3.5" HDD or 2 x 2.5" HDD
- ▶ Supports RAID 0,1 function
- ▶ Supports Serial ATA and IDE HDD
- ▶ Built-in 2 x PCI slots
- ▶ Built-in slim CD-ROM (optional)
- ▶ Panel/Rack/Desktop stand mounting ways



4. Parallel port
5. USB ports
6. PCI slot
7. COM ports
8. VGA
9. LAN (RJ-45)
10. PS/2 mouse/keyboard
11. Audio
12. Power switch
13. AC inlet
14. 24X CD-ROM (Optional)
15. Slim FDD



Specifications

Front Bezel	Aluminum w/ brightness control bottoms	
LCD Panel	17" SXGA TFT	
	Brightness	260 nit
	Resolution	1280 x 1024 pixels
	Viewing Angle	Vertical: 120°; Horizontal: 140°
Main System	Mainboard	SBC83800
	CPU	Socket 478 for Intel® Pentium® 4 2.8/2.6GHz and Intel® Celeron® 2.5/2.0GHz processors
	Core Logic	Intel® 852GM/GME+6300ESB
	Bus Clock	400 / 533MHz
	Memory	1 x 184-pin DDR DIMM max. up to 1GB
	Onboard Graphics	Intel® 852GME integrated
	Serial Ports	RS-232 x 2 & RS-232 / 422 / 485 x 1; +5V power output capability by pin 1 and +12V by pin 8 w/ selectable via jumper setting
	PS/2 Interface	PS/2 keyboard / mouse x 2
	Ethernet	10/100 base-T Ethernet x 1
	Onboard SSD	CompactFlash™ type II socket
	Audio	Line-in, Line-out, & MIC-in
	Hard Disk Drive	Enhanced IDE / S-ATA interface 2 x 3.5" HDD or 2 x 2.5" HDD (supports RAID 1,0 function)
	Peripheral	Slim type floppy disk drive Slim type CD-ROM/Combo/DVD-RW drive (optional)
	Watchdog Timer	Reset supported; 600 levels

I/O Connectors	D-Sub 9 pin x 1 (male) for RS-232 / RS-422 / RS-485	
	D-Sub 9 pin x 3 (male) for RS-232 (one port reserved for touch screen)	
	USB 2.0 connector x 4	
	D-Sub 25 pin x 1 (female) for parallel	
	P/52 x 2 for keyboard and mouse	
Expansion Slot	2 x PCI (3.3V& 5.0V)	
	Power Supply	AC-in 90~246V _{AC} , 250W
	Touchscreen	Type: Resistive (optional)
		Light Transmission 79 %
Controller RS-232 interface Point Activation: 1 million activations (typical) at a single point		
Dimensions	482.8mm(19")(W) x 130mm(5.12")(D) x 354.8mm(13.97")(H)	
Weight	15 kg (33.07 lb)	
Environmental	Operation temperature: 0°-45°C (32° -113°F)	
	Relative humidity: 10 to 95%@ 40°C, non-condensing	
	Operation vibration: 1.0G, 5~500Hz, random	

Ordering Information

PANEL1170-800-G	17" TFT panel PC w/ tempered glass
PANEL1170-800-GC	17" TFT panel PC w/ tempered glass & slim CD-ROM
PANEL1170-800-R	17" TFT panel PC w/ resistive T/S
PANEL1170-800-RC	17" TFT panel PC w/ resistive T/S & slim CD-ROM

Optional EOS Installation

Windows® XP Embedded
Windows® CE.NET

Optional OS Installation

Windows® 98
Windows® NT/2000/XP

- Note:
1. Installing two PCI cards, PANEL1170-800 can only support one 3.5" HDD or two 2.5" HDD.
 2. Installing one PCI card, PANEL1170-800 can support two 3.5" HDD or two 2.5" HDD.

Medical Panel Computer

PANEL2000
Slim Client
Panel
Computers

GOT Fanless
Touch Panel
Computers

PANEL
1000/5000
Industrial Panel
Computers

Industrial
Workstations

PANEL6000
Industrial Flat
Panel Monitors



Dimensions

