

GOT-1641T/GOT-1640T

6.4" VGA TFT Compact Size Fanless Touch Panel Computer w/ 2 LAN
6.4" VGA TFT Compact Size Fanless Touch Panel Computer

New



1. PCMCIA slot
2. CF card slot



Features

- ▶ Fanless cooling system and low power consumption VIA Eden 1GHz processor
- ▶ Small cut-out dimension: 200 x150mm
- ▶ Supports 2 LAN & Audio (GOT-1641T)
- ▶ Embedded O.S supported: Windows® CE.NET; Windows® XP Embedded
- ▶ PC/104 and PCMCIA slot supported
- ▶ NEMA 4 / IP65 compliant front panel
- ▶ Over-voltage power protection-Fuse
- ▶ 2.5" HDD or CompactFlash™ card supported
- ▶ Panel/Desktop/VESA/Wall mount supported

Introduction

The GOT-1641T/GOT-1640T are fanless and compact-size touch panel computers, and are equipped with 6.4" TFT LCD display and low power consumption CPU, the VIA Eden 1GHz. The GOT-1641T supports Windows® 2000/XP, Windows® CE.NET, Windows® XP Embedded. The panel also includes a PC/104 slot for extended communication or a DA & C card, and a PCMCIA slot for Wireless LAN card. The GOT-1641T/GOT-1640T is the cost-effective choice for operator interface applications.

Reliable and stable design

The GOT-1641T/GOT-1640T adopt fanless cooling system and CompactFlash™ card, which makes GOT-1641T/GOT-1640T especially suitable for vibration-heavy environments, best for the transportation, ship, and industrial machinery markets.

Flexibility: a PC/104 slot

The GOT-1641T/GOT-1640T offer a PC/104 slot that allows for extended communication or a DA & C card, or even for a PC/104 motion card, which can

be used for different application requirements. With Windows® CE.NET and a CompactFlash™ card combination, the Panel is especially suitable for embedded applications.

Industrial-grade product design

The GOT-1641T/GOT-1640T have an incredible design that can be used in different industrial harsh environments.

- A fuse helps prevent over-voltage for power.
- Aluminum front bezel are IP65/NEMA4 certified.
- For connecting other devices, the GOT-1641T also features several interfaces: USB, Ethernet, and RS-232/422/485.

2 LAN & audio support (GOT-1641T)

In response to customer's request, the GOT-1641T adopts 2 LAN & Audio port with unique design. The GOT-1641T can be applied in variety industry, such as machinery, monitoring system.

Specifications

Front Bezel	IP65, NEMA 4 rugged protection, alumium front bezel
LCD Panel	6.4" VGA TFT Brightness: 250 nits
Resolution	640 x 480
Main Board	STX88602 + STB97401
CPU	VIA Eden 1GHz processor onboard
Chipset	VIA VT8606 + VT82C686B
BIOS	Award 4Mbit with RPL/PXE LAN Boot ROM, SmartView and customer CMOS backup
System Memory	1 x SDRAM SODIMM, max. 512MB
Onboard Graphics	VIA Twister chip with integrates C3 Pro Savage4
Storage	CompactFlash™ or enhanced IDE interface 2.5" type
Watchdog Timer	0.5~1600 sec. with 64 levels; system reset or NMI
I/O	GOT-1641T: D-Sub 9-pin x 1 (male) for RS-232 D-Sub 9-pin x 1 (male) for RS-232/422/485 RJ-45 x 2 for Ethernet, Line-out x1 USB1.1 x 2

	GOT-1640T: D-Sub 9-pin x 2 (male) for RS-232 D-Sub 9-pin x 1 (male) for RS-232/422/485 RJ-45 x 1 for Ethernet USB1.1 x 2
Expansion Slot	PC/104 x 1 PCMCIA x 1
Touchscreen	Resistive
Power Supply	DC 16~28V, w/fuse
Dimensions	215mm(8.46")(W) x 80mm(3.14")(D) x 165mm(6.49")(H)
Weight	1.0 kg (2.2 lb)
Certification	CE
Environmental	Operation temperature: 0°~50°C (32°~122°F) Relative humidity: 10%~95%, non-condensing Operation vibration: 1.3G, 5~500Hz, random for 2.5" HDD 2.0G, 5~500Hz, random for CompactFlash™ Card

LCD

Display Type	TFT color LCD
Display Size	6.4"
Max Colors	262,144 colors
Resolution	640 x 480
Pixel Pitch	0.204 x 0.204 (H x V, mm)
Viewing Angle	(H) 120°, (V) 100°
Luminance	250 cd/m ²
Storage Temperature	-20 ~ 60°C
Operating Temperature	0 ~ 50°C
Contrast Ratio	300:1
Backlight	CCFL x 2

Ordering Information

GOT-1640T-256	6.4" VGA TFT fanless touch panel computer w/ resistive T/S, 256MB SDRAM
GOT-1641T-256	6.4" VGA TFT fanless touch panel computer w/ 2 Lan, Audio, 256MB SDRAM
Desktop stand (pre-install)	Desktop stand for GOT-1640T
Wall/VESA kit (Pre-install)	Wall/VESA kit for GOT-1640T
GOT-PC104-Kit	PC/104 kit for GOT-1640T
PS-DC24-50	110~230V _{AC} to 24V _{DC} , 2.3A, 50W power supply

Optional EOS Installation

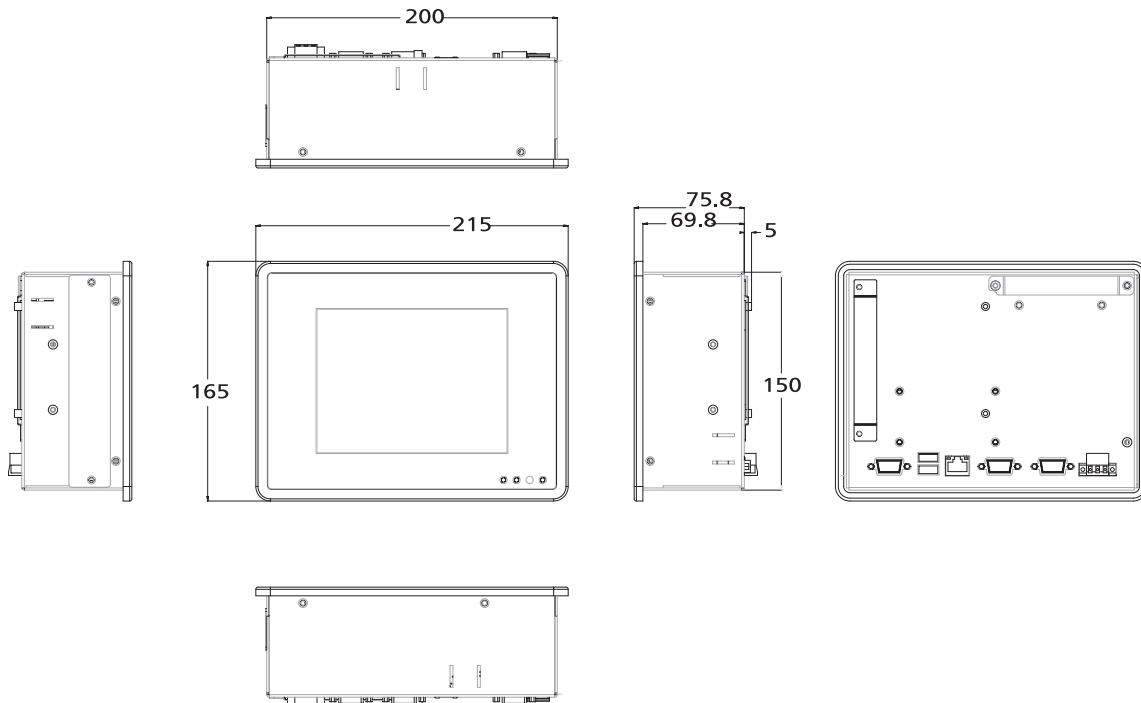
Windows® XP Embedded
Windows® CE.NET

Optional OS Installation

Windows® 2000/XP



Dimensions



Medical Panel Computer

PANEL2000 Slim Client Panel Computers

GOT Fanless Touch Panel Computers

PANEL 1000/5000 Industrial Panel Computers

Industrial Workstations

PANEL6000 Industrial Flat Panel Monitors